

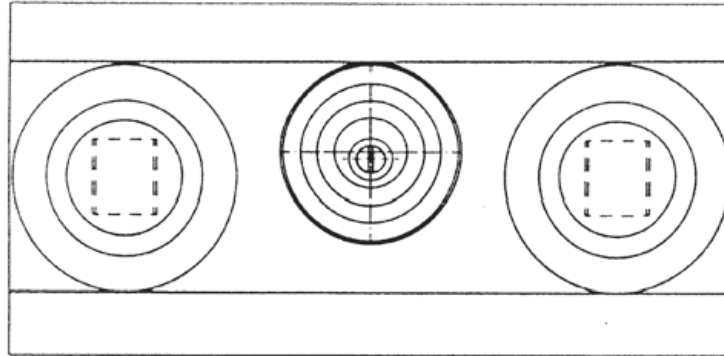


WINKEL-Rollen | WINKEL Bearings

VULKOLLAN® Exzenter-Rollen

VULKOLLAN® eccentric bearings

Exzenterrolle zur Spielminimierung | Eccentric bearing to minimize clearance between bearing and profile



Typ VE 4000 für Std. A/Std. S

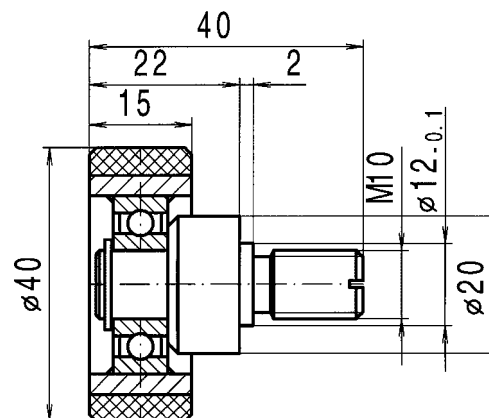
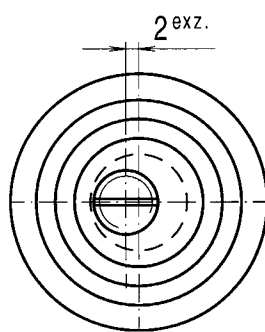
Artikel-Nr. 231.019.000

■ Gewicht: 0,15 kg

Type VE 4000 for Std. A/Std. S

Article no. 231.019.000

■ Weight: 0.15 kg



Typ VE 6250 für Std. 0 NbV/Std. M

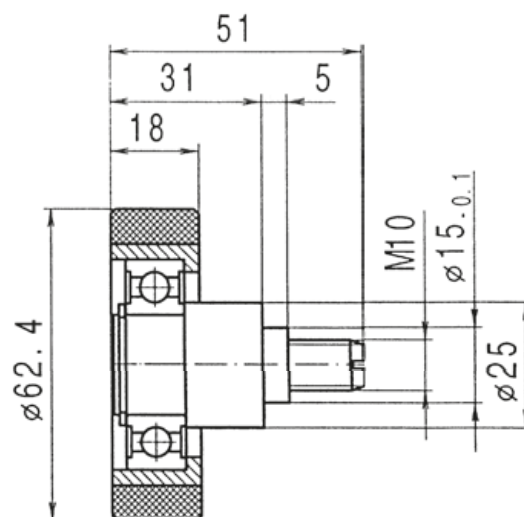
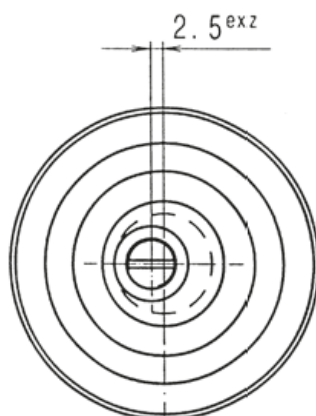
Artikel-Nr. 231.005.000

■ Gewicht: 0,25 kg

Type VE 6250 for Std. 0 NbV/Std. M

Article no. 231.005.000

■ Weight: 0.25 kg



VULKOLLAN®: Registered Trademark of Covestro Group