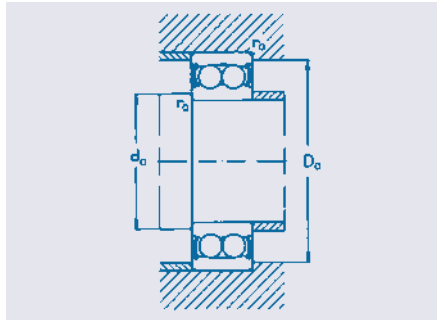
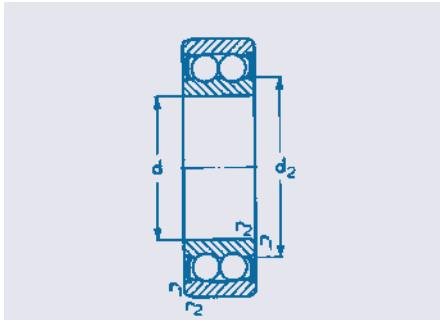


Self-aligning ball bearings

Sealed on both sides
Bore 12 – 65 mm



| Dimensions | | | | Abbreviation | | Load ratings | | Speed limits |
|----------------|-----|----|------------------|--------------|---------------|--------------|----------------|-------------------|
| d ₁ | D | B | r _{1,2} | Bearing | Sleeve | dyn. | stat. | Grease |
| Shaft | | | min | | | C | C ₀ | |
| mm | | | | | | kN | | min ⁻¹ |
| 12 | 32 | 14 | 0.6 | 2201-2RSTNG | — | 5.60 | 1.27 | 16,000 |
| 15 | 35 | 14 | 0.6 | 2202-2RSTNG | — | 7.50 | 1.76 | 15,000 |
| | 42 | 17 | 1.0 | 2302-2RSTN | — | 9.50 | 2.28 | 15,000 |
| 17 | 40 | 16 | 0.6 | 2203-2RSTNG | — | 8.00 | 2.04 | 14,000 |
| | 47 | 19 | 1.0 | 2303-2RSTN | — | 12.50 | 3.20 | 11,000 |
| 20 | 47 | 18 | 1.0 | 2204-2RSTNG | 2204K2RSTNGC3 | 10.00 | 2.65 | 11,000 |
| | 52 | 21 | 1.1 | 2304-2RSTNG | 2304K2RSTNGC3 | 12.50 | 3.35 | 10,000 |
| 25 | 52 | 18 | 1.0 | 2205-2RSTNG | 2205K2RSTNGC3 | 12.20 | 3.35 | 9,500 |
| | 62 | 24 | 1.1 | 2305-2RSTNG | 2305K2RSTNGC3 | 18.00 | 5.00 | 8,000 |
| 30 | 62 | 20 | 1.0 | 2206-2RSTNG | 2206K2RSTNGC3 | 15.60 | 4.65 | 8,000 |
| | 72 | 27 | 1.1 | 2306-2RSTNG | 2306K2RSTNGC3 | 21.20 | 6.30 | 6,700 |
| 35 | 72 | 23 | 1.1 | 2207-2RSTNG | 2207K2RSTNGC3 | 16.00 | 5.20 | 7,000 |
| | 80 | 31 | 1.5 | 2307-2RSTNG | 2307K2RSTNGC3 | 25.00 | 8.00 | 6,000 |
| 40 | 80 | 23 | 1.1 | 2208-2RSTNG | 2208K2RSTNGC3 | 19.30 | 6.55 | 6,300 |
| | 90 | 33 | 1.5 | 2308-2RSTNG | 2308K2RSTNGC3 | 29.00 | 9.65 | 5,300 |
| 45 | 85 | 23 | 1.1 | 2209-2RSTNG | 2209K2RSTNGC3 | 22.00 | 7.35 | 5,600 |
| | 100 | 36 | 1.5 | 2309-2RSTNG | 2309K2RSTNGC3 | 38.00 | 12.90 | 4,800 |
| 50 | 90 | 23 | 1.1 | 2210-2RSTNG | 2210K2RSTNGC3 | 22.80 | 8.15 | 5,300 |
| | 100 | 40 | 2.0 | 2310-2RSTNG | 2310K2RSTNGC3 | 41.50 | 14.30 | 4,300 |
| 55 | 100 | 25 | 1.5 | 2211-2RSTNG | 2211K2RSTNGC3 | 27.00 | 10.00 | 4,800 |
| | 120 | 43 | 2.0 | 2311-2RSTNG | 2311K2RSTNGC3 | 51.00 | 18.00 | 3,800 |
| 60 | 110 | 28 | 1.5 | 2212-2RSTNG | 2212K2RSTNGC3 | 30.00 | 11.60 | 4,300 |
| 65 | 120 | 31 | 1.5 | 2213-2RSTNG | 2213K2RSTNGC3 | 31.00 | 12.40 | 4,000 |



| Abutment dimensions | | | Factors | | | | Weight | Abbreviation |
|---------------------|--------------|--------------|---------|-------------------------|----------------------|-------|-----------|--------------|
| d_a min | D_a max | r_a max | e | Y_1 $Fa/Fr \leq e$ | Y_2 $Fa/fr > e$ | Y_0 | \approx | |
| mm | | | | | | | kg | |
| 16.0 | 28.0 | 0.6 | 0.37 | 1.7 | 2.6 | 1.8 | 0.06 | 2201-2RSTNG |
| 19.0 | 31.0 | 0.6 | 0.34 | 1.9 | 2.9 | 2.0 | 0.06 | 2202-2RSTNG |
| 20.0 | 37.0 | 1.0 | 0.35 | 1.8 | 2.8 | 1.9 | 0.13 | 2302-2RSTN |
| 21.0 | 36.0 | 0.6 | 0.33 | 1.9 | 3.0 | 2.0 | 0.10 | 2203-2RSTNG |
| 22.0 | 42.0 | 1.0 | 0.32 | 1.9 | 3.0 | 2.0 | 0.18 | 2303-2RSTN |
| 25.0 | 42.0 | 1.0 | 0.28 | 2.2 | 3.5 | 2.3 | 0.16 | 2204-2RSTNG |
| 26.5 | 45.5 | 1.0 | 0.29 | 2.2 | 3.3 | 2.3 | 0.24 | 2304-2RSTNG |
| 30.0 | 47.0 | 1.0 | 0.27 | 2.4 | 3.7 | 2.5 | 0.17 | 2205-2RSTNG |
| 31.5 | 55.5 | 1.0 | 0.28 | 2.3 | 3.5 | 2.4 | 0.38 | 2305-2RSTNG |
| 35.0 | 57.0 | 1.0 | 0.25 | 2.5 | 3.9 | 2.7 | 0.28 | 2206-2RSTNG |
| 36.5 | 65.5 | 1.0 | 0.26 | 2.4 | 3.7 | 2.5 | 0.57 | 2306-2RSTNG |
| 41.4 | 65.5 | 1.0 | 0.22 | 2.8 | 4.3 | 2.9 | 0.45 | 2207-2RSTNG |
| 43.0 | 72.0 | 1.5 | 0.26 | 2.5 | 3.8 | 2.6 | 0.79 | 2307-2RSTNG |
| 46.5 | 73.5 | 1.0 | 0.22 | 2.9 | 4.5 | 3.0 | 0.55 | 2208-2RSTNG |
| 48.0 | 82.0 | 1.5 | 0.25 | 2.5 | 3.9 | 2.6 | 0.05 | 2308-2RSTNG |
| 51.5 | 78.5 | 1.0 | 0.21 | 3.0 | 4.7 | 3.2 | 0.58 | 2209-2RSTNG |
| 53.0 | 92.0 | 1.5 | 0.25 | 2.5 | 3.9 | 2.6 | 0.40 | 2309-2RSTNG |
| 56.5 | 83.5 | 1.0 | 0.20 | 3.2 | 4.9 | 3.3 | 0.63 | 2210-2RSTNG |
| 59.0 | 101.0 | 2.0 | 0.24 | 2.6 | 4.0 | 2.7 | 1.89 | 2310-2RSTNG |
| 63.0 | 92.0 | 1.5 | 0.19 | 3.3 | 5.1 | 3.5 | 0.76 | 2211-2RSTNG |
| 66.0 | 109.0 | 2.0 | 0.24 | 2.7 | 4.1 | 2.8 | 2.37 | 2311-2RSTNG |
| 68.5 | 101.5 | 1.5 | 0.18 | 3.5 | 5.4 | 3.6 | 1.11 | 2212-2RSTNG |
| 74.0 | 111.0 | 1.5 | 0.18 | 3.6 | 5.5 | 3.7 | 1.53 | 2213-2RSTNG |